

this product information has been extracted from

the heat book

BUH RANGE

Tel: 0845 600 5111

Fax: Customer Care: 01489 773053

Email: customer.services@glendimplex.com

Website: www.dimplex.co.uk

hydronic base unit heaters

the BUH range

The hydronic BUH range is designed specifically for use on 'wet' heating systems. Small and compact, the BUH fits discreetly into the base of kitchen units, reception desks, shop counters and even stair risers.

The BUH will heat a room much faster than a traditional radiator many times its size, but will not occupy valuable wall space.

Range features

- Maximum output of 2.0kW (6824 Btu/h).
- With choice of low and boost settings.
- Automatic low temperature cut out thermostat.
- Fan only option for cool air circulation (boost or normal speed).
- Supplied with a choice of brown, white or stainless steel grilles to suit any plinth unit.

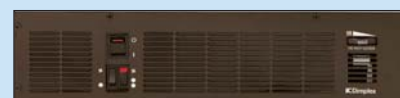


Model BUH195

Colour Options



Stainless steel (model shown BFH24TS)



Brown (model shown BFH24TB)



White (model shown BFH24T)

Note: Above grille close ups are for colour reference only. For actual grille please refer to main photography of BUH195.

technical specifications

Controls

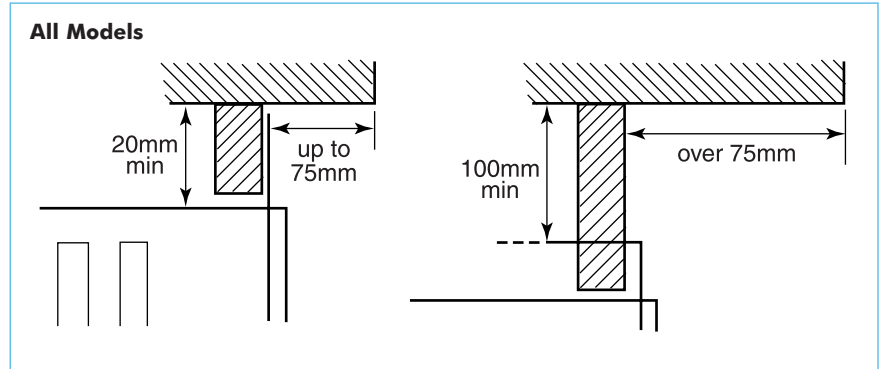
Built-in single pole winter/summer switch and two position boost/low switch. Low temperature cut-out thermostat set at 38°C. Facility for fan only operation.

Connections

Pre-wired with 2m 3 core electrical cable. Supplied with flexible hoses and isolating valves to connect the unit's copper pipes to the flow and return pipes of the central heating system.

Finish

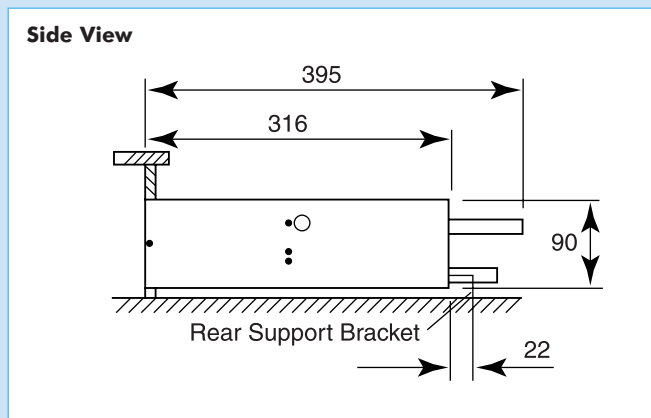
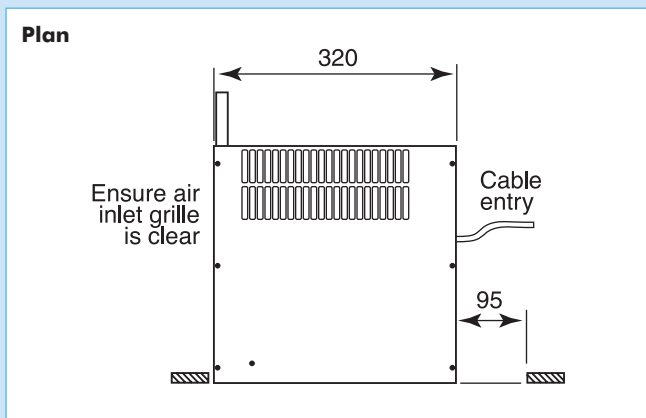
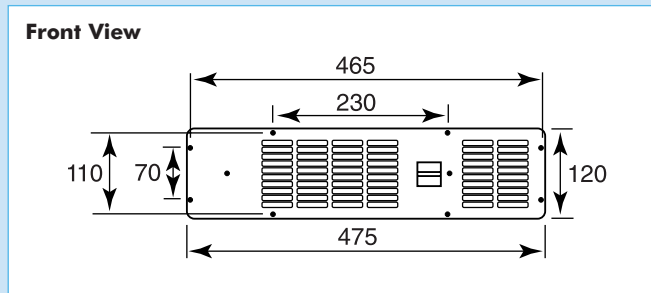
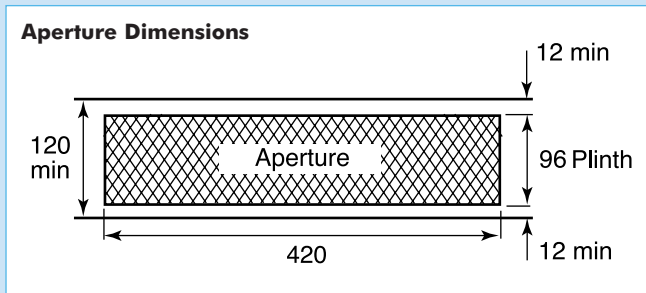
Supplied complete with a choice of stainless steel, powder coated brown or white finishes.



If the overhang above the heater is greater than 75mm, then a distance of at least 100mm must be maintained between the overhang and the uppermost part of the heater.

Model	Fan Speed				Power	Water
	Normal (Btu/h) Watts		Boost (Btu/h) Watts		Consumption Watts	Capacity Litres
BUH19B/W/S	4372	1280	6830	2000	31	0.2

Installation/Dimensions (mm)



After Sales Service

After sales service if required is absolutely no problem with Dimplex – we have a network of appointed Service Agents spread throughout the Country who are qualified and trained to repair or service any of our appliances.

Bathrooms

Any electrical appliances installed in a bathroom should be fitted by a competent electrician in accordance with the current I.E.E. Regulations.

Portable heaters are NOT suitable for use in a bathroom.

Unless otherwise specified in this brochure, heaters that can be permanently fixed have to be so mounted that any controls cannot be reached by a person using a bath or shower. This restriction does not apply to Dimplex heated towel rails, which do not have controls.

Safety

Dimplex products are designed to comply with EN60335 the British Standard covering the safety requirements of electric heating appliances, and momentary contact with any part of the heater should not cause injury. However, in order to be effective, heaters or towel rails of any type do get hot especially (if applicable) around the air outlet grille. Therefore if aged or infirm persons, or young children, are likely to be left unsupervised in the vicinity of a heater we advise that precautions should be taken. We recommend that a guard is fitted around the heater, as is normal with many types of heating appliance in similar circumstances, to ensure contact with the heater is avoided and objects cannot be inserted into the product.

(Please see page 36 for details of accessory guards.)

Heating appliances should never be covered or positioned where objects may fall onto them.

Specifications

Dimplex policy is one of continuous improvement; the Company therefore reserves the right to alter specifications without notice. Although every care has been taken in the reproduction of product finishes in this brochure, the colour photographs should be taken only as a guide. The information contained in this brochure is correct at the time of printing. You are advised to consult your dealer before purchasing.

Plugs

All portable appliances are supplied with a fitted plug.

British Electrotechnical Approvals Board BEAB Approved



The mark of the British Electrotechnical Approvals Board signifies that the appliance bearing it has been produced to the stringent safety requirements for domestic electrical appliances as laid down in EN60335.

CE Mark



Products carrying the CE mark comply with European safety standards and the European Standard for electro-magnetic compatibility.

Installation Guidance

This brochure is designed to assist you with your choice of Dimplex products and it is not intended as an installation guide.

For safety, products should only be installed by a competent person, in accordance with current regulations and the manufacturers instructions. If you require further advice concerning the installation of our products – especially where the installed dimensions may be critical to your choice and the location of the product – please contact our Customer Care on 0845 600 5111 or consult your installer.

Please note that the dimensions contained within this brochure do not in all cases include clearances required around installed products for safe operation.

Useful Numbers

Tel: 0845 600 5111
Fax: Customer Care: 01489 773053
Brochure line: 01489 773063
Main Reception: 01489 773050
Email: customer.services@glendimplex.com
Websites: www.dimplex.co.uk
www.dimplex-resource.co.uk



© Glen Dimplex UK Limited
All rights reserved. Material contained in this publication may not be reproduced in whole or in part, without prior permission in writing from Glen Dimplex UK Limited.
Printed on accredited paper (from sustainable sources).

Dimplex
Making life comfortable

Glen Dimplex UK Limited, Millbrook House, Grange Drive, Hedge End, Southampton, SO30 2DF
For Northern Ireland please contact – Glen Dimplex N.I. Limited, Unit No. 24, Seagoe Industrial Estate, Portadown, Craigavon, Co. Armagh, BT63 5TH. Telephone: 02838 337317

Designed and produced by Carrington Caunter Associates Limited, Christchurch (Bournemouth). Telephone 01202 499612

D1254/0906