

this product information has been extracted from

the heat book

EPX RANGE

Tel: 0845 600 5111

Fax: Customer Care: 01489 773053

Email: customer.services@glendimplex.com

Website: www.dimplex.co.uk

electronic panel convector heaters

the EPX range

The all new EPX range of electronic panel heaters combine advanced performance and stylish looks to provide a superior panel heating solution to meet the demands of today's leading property developers.

Styled to complement the award-winning DuoHeat radiator, the EPX range incorporates sensitive electronic thermostatic controls allowing accurate regulation of room temperatures – essential for providing comfort, economy and energy efficiency, especially where panel heaters provide the sole source of heating.

EPX panels can also be controlled by a completely new range of optional Dimplex plug-in control programmers, providing a flexible control solution to meet the needs of any application. Alternatively, EPX can be controlled remotely by pilot wire or mains borne signalling from the new range of Dimplex 4-zone central programmers.

Range features

- Stylish design with forward facing louver grille for optimum heat circulation.
- Aesthetics to complement DuoHeat radiators, with pure white finish.
- Electronic thermostatic control, providing room temperature stability to $\pm 0.3^{\circ}\text{C}$.
- Pre-set background temperature at 5°C below thermostat setting.*
- Range of optional plug-in electronic timer modules, including:
 - 24 hour digital timer
 - Single-zone pilot wire programmer
 - Runback timer
- Compatible with Dimplex 4-zone, wall mounted pilot wire and mains borne signalling multi-heater programmers.
- Splash-proof (IPX4) rated, for use in bathrooms or wet areas.
- Completely silent operation.
- Simple detachable wall bracket for easy installation.

* When connected to a programming unit supporting setback feature.

BUILDING REGULATIONS
PART L COMPLIANT



Model EPX1500



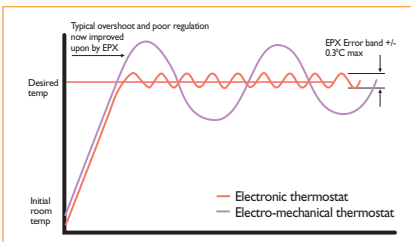
Model EPX500

technical specifications

Electronic Control

Dimplex electronic panel heaters feature highly accurate electronic thermostats, providing superior comfort and operating efficiency.

As the room temperature nears the desired set point, power to the elements is reduced, and the room temperature closely monitored to an accuracy of less than 0.3°C, minimising overshoot and temperature drift, resulting in better energy-efficiency and user comfort.



Being electronic, control is totally silent and reliable.

Controls



1 Thermostat control

User selection of room temperature from 5°C (frost protection) to 30°C using slider control. Slider can be locked in position if required.

2 Power controls and indicators

Soft-touch on/off button, together with indicators showing when power to heater is on and when element is operating.

3 Plug-in control modules (optional)

A range of optional plug-in control modules, which can be removed from the heater for easy programming, provide the flexibility for EPX to meet a wide range of control specifications:

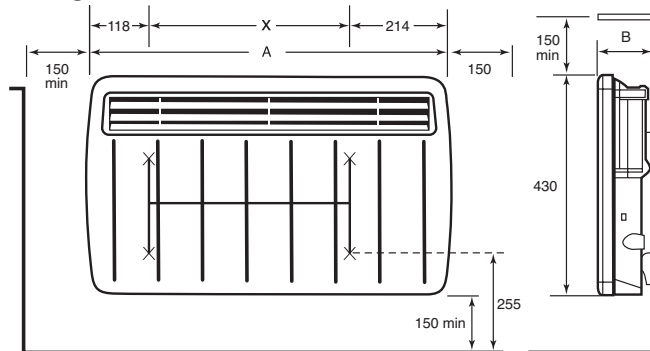
- 24-hour Digital Timer (RX24Ti)
1 timer required per heater. Provides 24 hour programmable on/off control.
- Single Zone, Pilot Wire Programmer (RXPW1)
Controls up to 10 slave heaters linked via pilot wire. Provides 7 day programmable on/off control.
- Runback Timer (RXRBTi)
1 timer required per heater. Provides installer programmable runback time up to 4 hours (in 30 min increments). Can be locked into heater.

See page 24 for full details on the range of plug in control modules.



Model EPX1000

Main and Fixing Dimensions



Model No.	Output	Width (A)	Height	Depth	X	Weight
EPX500	0.5kW	450mm	430mm	108mm	117mm	5.2kg
EPX750	0.75kW	620mm	430mm	108mm	287mm	6.6kg
EPX1000	1kW	620mm	430mm	108mm	287mm	6.6kg
EPX1250	1.25kW	690mm	430mm	108mm	355mm	7.1kg
EPX1500	1.5kW	690mm	430mm	108mm	355mm	7.1kg
EPX2000	2kW	860mm	430mm	108mm	527mm	8.5kg

Multi-zone Control

Compatible with Dimplex 4-zone pilot wire and mains borne signalling controllers. (RX9913 receivers required for MBS system)

Thermostat

Electronic type, accurate to +/- 0.3°C.

Element

Compact, finned, mineral-filled sheathed type, providing silent operation.

Thermal Cut-out

Auto reset type.

Construction

Durable epoxy-polyester powder coated steel casing, with forward facing grille. Temperature resistant PBT thermoplastic moulded parts.

Colour/Finish

White front, back, grille and plastic parts.

Installation

Detachable wall mounting bracket.

Electrical Connections

1.2m, 4 core cable (live, neutral, earth, pilot) supplied fitted to each heater.

IP Rating

Splashproof IPX4.

See pages 24-27 for full details on the range of control options.

After Sales Service

After sales service if required is absolutely no problem with Dimplex – we have a network of appointed Service Agents spread throughout the Country who are qualified and trained to repair or service any of our appliances.

Bathrooms

Any electrical appliances installed in a bathroom should be fitted by a competent electrician in accordance with the current I.E.E. Regulations.

Portable heaters are NOT suitable for use in a bathroom.

Unless otherwise specified in this brochure, heaters that can be permanently fixed have to be so mounted that any controls cannot be reached by a person using a bath or shower. This restriction does not apply to Dimplex heated towel rails, which do not have controls.

Safety

Dimplex products are designed to comply with EN60335 the British Standard covering the safety requirements of electric heating appliances, and momentary contact with any part of the heater should not cause injury. However, in order to be effective, heaters or towel rails of any type do get hot especially (if applicable) around the air outlet grille. Therefore if aged or infirm persons, or young children, are likely to be left unsupervised in the vicinity of a heater we advise that precautions should be taken. We recommend that a guard is fitted around the heater, as is normal with many types of heating appliance in similar circumstances, to ensure contact with the heater is avoided and objects cannot be inserted into the product.

(Please see page 36 for details of accessory guards.)

Heating appliances should never be covered or positioned where objects may fall onto them.

Specifications

Dimplex policy is one of continuous improvement; the Company therefore reserves the right to alter specifications without notice. Although every care has been taken in the reproduction of product finishes in this brochure, the colour photographs should be taken only as a guide. The information contained in this brochure is correct at the time of printing. You are advised to consult your dealer before purchasing.

Plugs

All portable appliances are supplied with a fitted plug.

British Electrotechnical Approvals Board BEAB Approved



The mark of the British Electrotechnical Approvals Board signifies that the appliance bearing it has been produced to the stringent safety requirements for domestic electrical appliances as laid down in EN60335.

CE Mark



Products carrying the CE mark comply with European safety standards and the European Standard for electro-magnetic compatibility.

Installation Guidance

This brochure is designed to assist you with your choice of Dimplex products and it is not intended as an installation guide.

For safety, products should only be installed by a competent person, in accordance with current regulations and the manufacturers instructions. If you require further advice concerning the installation of our products – especially where the installed dimensions may be critical to your choice and the location of the product – please contact our Customer Care on 0845 600 5111 or consult your installer.

Please note that the dimensions contained within this brochure do not in all cases include clearances required around installed products for safe operation.

Useful Numbers

Tel: 0845 600 5111
Fax: Customer Care: 01489 773053
Brochure line: 01489 773063
Main Reception: 01489 773050
Email: customer.services@glendimplex.com
Websites: www.dimplex.co.uk
www.dimplex-resource.co.uk



© Glen Dimplex UK Limited
All rights reserved. Material contained in this publication may not be reproduced in whole or in part, without prior permission in writing from Glen Dimplex UK Limited.
Printed on accredited paper (from sustainable sources).

Dimplex
Making life comfortable

Glen Dimplex UK Limited, Millbrook House, Grange Drive, Hedge End, Southampton, SO30 2DF
For Northern Ireland please contact – Glen Dimplex N.I. Limited, Unit No. 24, Seagoe Industrial Estate, Portadown, Craigavon, Co. Armagh, BT63 5TH. Telephone: 02838 337317

Designed and produced by Carrington Caunter Associates Limited, Christchurch (Bournemouth). Telephone 01202 499612

D1254/0906